

Current Probe Model PR1230

The PR1230 current probe has been designed for use with oscilloscopes for accurate non intrusive measurement of AC current. Using the latest transformer technology, the PR1230 can measure currents from 100mA to 1500A over a frequency range of 30Hz to 300kHz.



Electrical Characteristics

Current Range.....	: 1000A AC _{RMS}
Measuring Range.....	: 100mA to 1500A _{RMS}
Output Sensitivity.....	: 1 mV/A
Load Impedance.....	: > 500 kOhms and 27pF
Accuracy.....	: +/- 1% of reading +/- 1mV
Phase Shift below 1 kHz.....	: < 1 degree at 1000 A
Frequency Range.....	: 30 Hz to 300 kHz (- 3 dB)
Working Voltage (see Safety Standards section).....	: 600 V AC _{RMS} or DC

General Characteristics

Maximum Conductor Size.....	: 54 mm diameter
Output Connection.....	: Safety BNC connector
Cable Length.....	: 2 meters
Operating Temperature Range.....	: 0 to +50 °C
Storage Temperature Range.....	: -20 to +70 °C
Operating Humidity.....	: 15% to 85% (non condensing)
Weight.....	: 650 g

Safety Standards

BSEN61010-1: 1993 and Amendment A2: July 1995

BSEN61010-2-032: 1995

BSEN61010-2-031: 1995

600 V_{RMS}, Category III, Pollution Degree 2

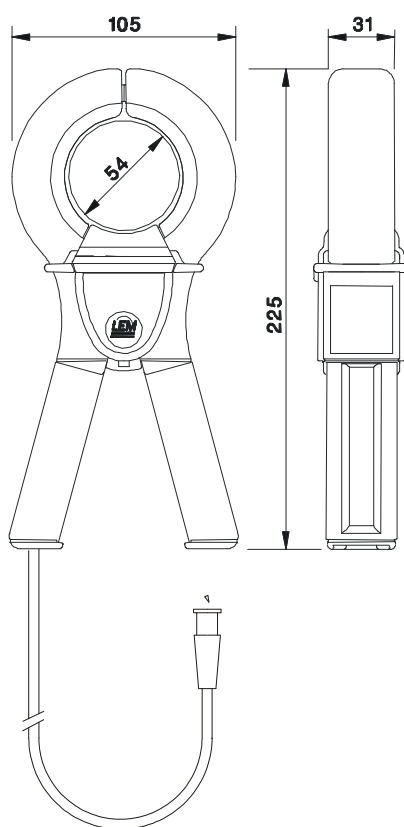
Use of the probe on **uninsulated conductors** is limited to 600 V AC_{RMS} or DC and frequencies below 1 kHz.

EMC Standards

EN61326 :1998

Dimensions

in mm



Editor
Name
Signature
Date
Verified
Name
Signature
Date